

# Installation Instructions

## D7034

### 4 Point Expander

#### Specifications

- Standby Current: 44 mA
- Alarm Current: 40mA per loop
- Operating Voltage: supplied by control

For additional specifications and device compatibility, refer to the D7024 Reference Guide.

#### Overview

The D7034 allows the D7024 control to support 4 additional points. The expander plugs into the control and provides 4 Class B loops that are identical in characteristics to the loops on the control.

#### Installation

The D7034 mounts on the control, just to the right of the keypad. Use the four nylon stand-offs supplied with the expander.

**CAUTION:** Before installing the D7034, remove system power (AC and battery).

- Install the four stand-offs into the four mounting holes on the control.
- Make sure the four transistors on the control panel that will be under the D7034 are bent down to the left to provide clearance. If not, gently bend them over enough to provide adequate clearance.
- Align the connector on the bottom of the D7034 with the 8 pins extending from the control. Carefully press the D7034 into place.
- Press each corner of the D7034 until it is locked onto each nylon stand-off.
- Connect the green/yellow wire of the D7034 to the ground terminal (21) on the control.

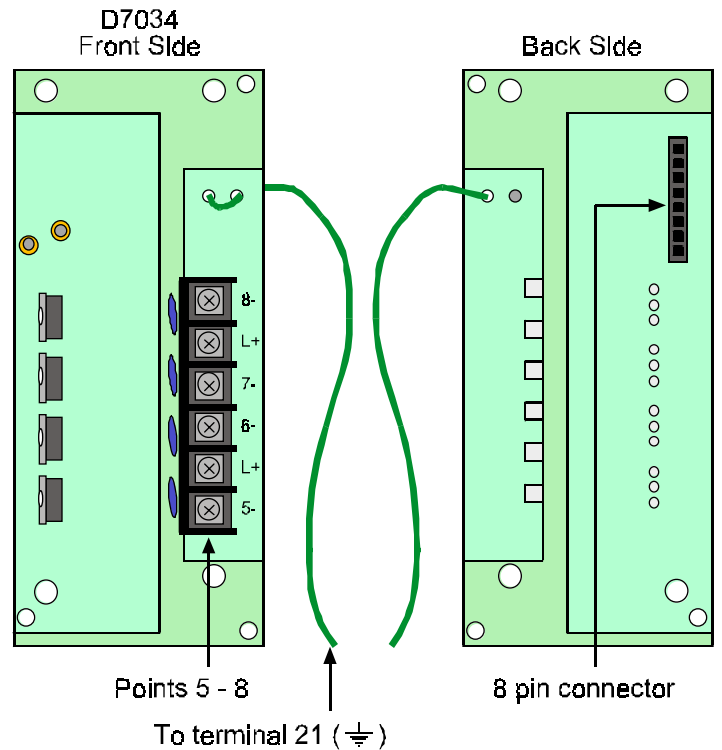
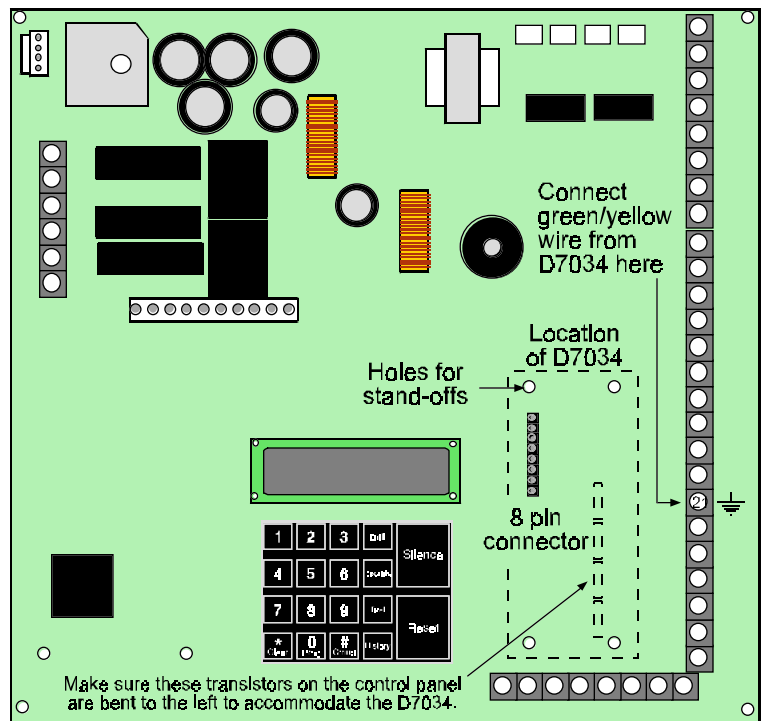
When power is restored, the D7034 will automatically be detected and used by the system.

#### Wiring

The four point inputs are wired the same as point inputs on the control. Four EOL resistors are provided with the D7034 for installation at the end of each point wiring run.

#### Programming

The four points provided by the D7034 are numbered 5 through 8. They are programmed in the same manner as points 1 through 4. See the D7024 reference Guide for programming details.



© 1997 Radionics, Salinas, CA, USA. All rights reserved  
 The Radionics logo is a registered trademark of Radionics, Salinas, CA